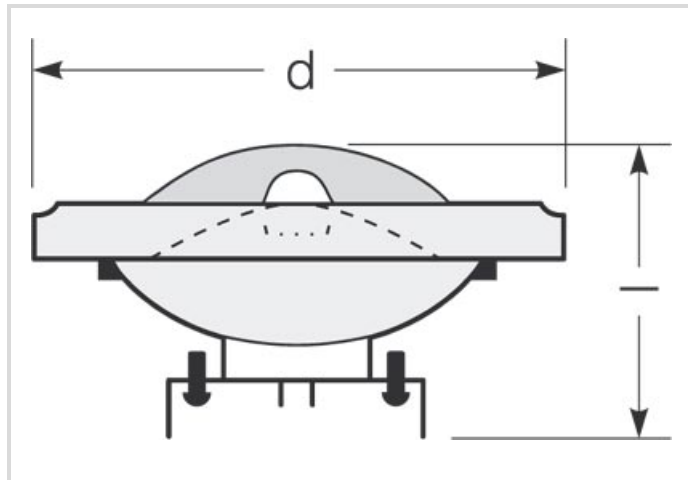


Low voltage halogen reflector lamp AR111

RJL 35W/12/SKY/IRC/FL/G53

Radium

Product Datasheet Date: 16.02.2022



B



G



440



2900K



4 000h



Dimmable

General Data

Article No.	22313637
Code	RJL 35W/12/SKY/IRC/FL/G53
Product EAN	4008597136375
Customs tariff no.	85392198
Box quantity (pcs.)	6
EAN Box	4008597436376
Gross weight of box in kg	0.627
Length of box in m	0.268
Width of box in m	0.183
Height of box in m	0.133
ETIM class	EC000258
ETIM class name	Low voltage halogen reflector lamp
Product status	● Phase Out

Electric Parameters

Lamp power	35 W
Rated wattage	35.0 W
Weighted energy consumption in 1,000 hours	38 kWh

Low voltage halogen reflector lamp AR111

RJL 35W/12/SKY/IRC/FL/G53

Radium

Electric Parameters

Power factor	1.00
Lamp voltage	12-12 V
Lamp voltage	12-12 V
Lamp voltage	12-12 V
Mains voltage	12 V
Nominal current (A)	2.92 A
dimnable	Yes

Light Application Parameters

Rated lamp luminous flux	440 lm
Luminous flux nominal	440 lm
Luminous flux in 90°-sector	440 lm
Luminous intensity	4200 cd
Beam angle	24 °
Luminous efficiency	12.57 lm/W
Colour temperature	3000 K
Color rendering index Ra	100

Service Life

Average nominal lifespan	4000 h
Average nominal lifespan	4000 h
No. switching cycles	100000

Specification

Energy Label A to G	G
Energylabel A++ to E	B
Diameter	111 mm
Length max.	67 mm
Total length	67 mm
Burning position	beliebig
Mercury content	0.0 mg
Design	Flood
Base	G53
Colour	White

Low voltage halogen reflector lamp AR111

RJL 35W/12/SKY/IRC/FL/G53

Radium

Miscellaneous

EU-date of phase-out	01.09.2021
EU Directive	SLR = (EU) 2019/2020

Notes

IRC low voltage halogen reflector lamp AR111, 12V operation with transformer, base G53, stepless dim, 4000 h mean service life

Please, refer to www.radium.de/recycling for notes on disposal of burned-out lamps as well as lamp breakage.

The "lifespan L70" described for LED lamps indicates the number of hours when the luminous flux has decreased to 70% of its initial value.

The optimal field 'info about service life' contains the frame conditions according to standards based on which the specific service life has been determined. So, for example, "12B50, 50Hz" means that the mean service life (B50) has been determined with a 12h switching cycle at mains (frequency 50Hz), "3B50, HF" is based on a 3h switching cycle at electronic control gear (high frequency).

Base



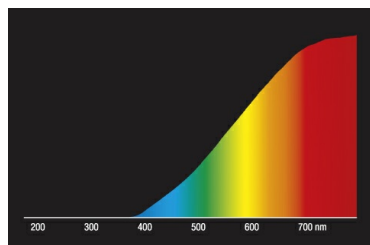
G53
IEC/EN 60061-1
sheet 7004-134-1

Spectrum

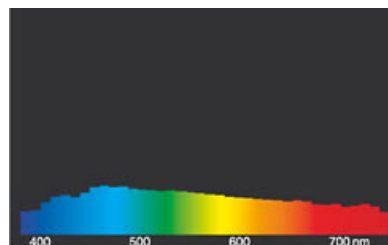
As daylight is a mixture of direct sunlight and light from the sky, the spectral distribution changes all the time due to the time of the day and the weather. The standard illuminant D65 corresponds to daylight with colour temperature of about 6500K.

Incandescent lamps have got a continuous red-dominated spectrum as the light is generated by heating up a tungsten filament. The addition of halogens to the filling gas enhance the efficiency and prevents blackening. Further increase in efficiency can be achieved by adding Xenon and/or IRC-coating.

Visible region from 380 to 780 nm; height of graph corresponding with relative spectral emission (400mW/klm)per 10nm.



light of incandescent lamps



daylight(D 65)

General notes

The technical design data in accordance with DIN and IEC. The producer does not take any responsibility for damage to persons or property in case of unsuitable operation or handling of the product. Operating data and dimensions are valid within the usual tolerances. Related lamp types (different bases, mains voltages) may be available on request. Sale and delivery are effected in accordance with the Radium Terms of Delivery and Payment valid on the day of conclusion of contract. Packing units offer economical advantages to the purchase and logistic department. Please match your quantity volume accordingly. For orders of a minimum quantity (clefts) with a lamp model the amount lower than the volume of each packaging unit, we will invoice 10 % additional charge per lamp type. Technical changes and terms of delivery are reserved. Manipulation of any kind to packaging or product is not permissible as this will violate Radium brand rights. Furthermore, technical properties of the product can change to its disadvantage or even destruction. Therefore, Radium cannot be responsible for consequential damages.

® = Registered trademark

Subject to change without notice. Errors and omissions excepted.

All technical data without guarantee.